

SPARE PARTS SECTION

The following section covers the spare parts diagrams and lists that were current at the time this manual was originally printed. Due to continuous improvements of the machine, changes may be made at any time without notification.

HOW TO ORDER SPARE PARTS

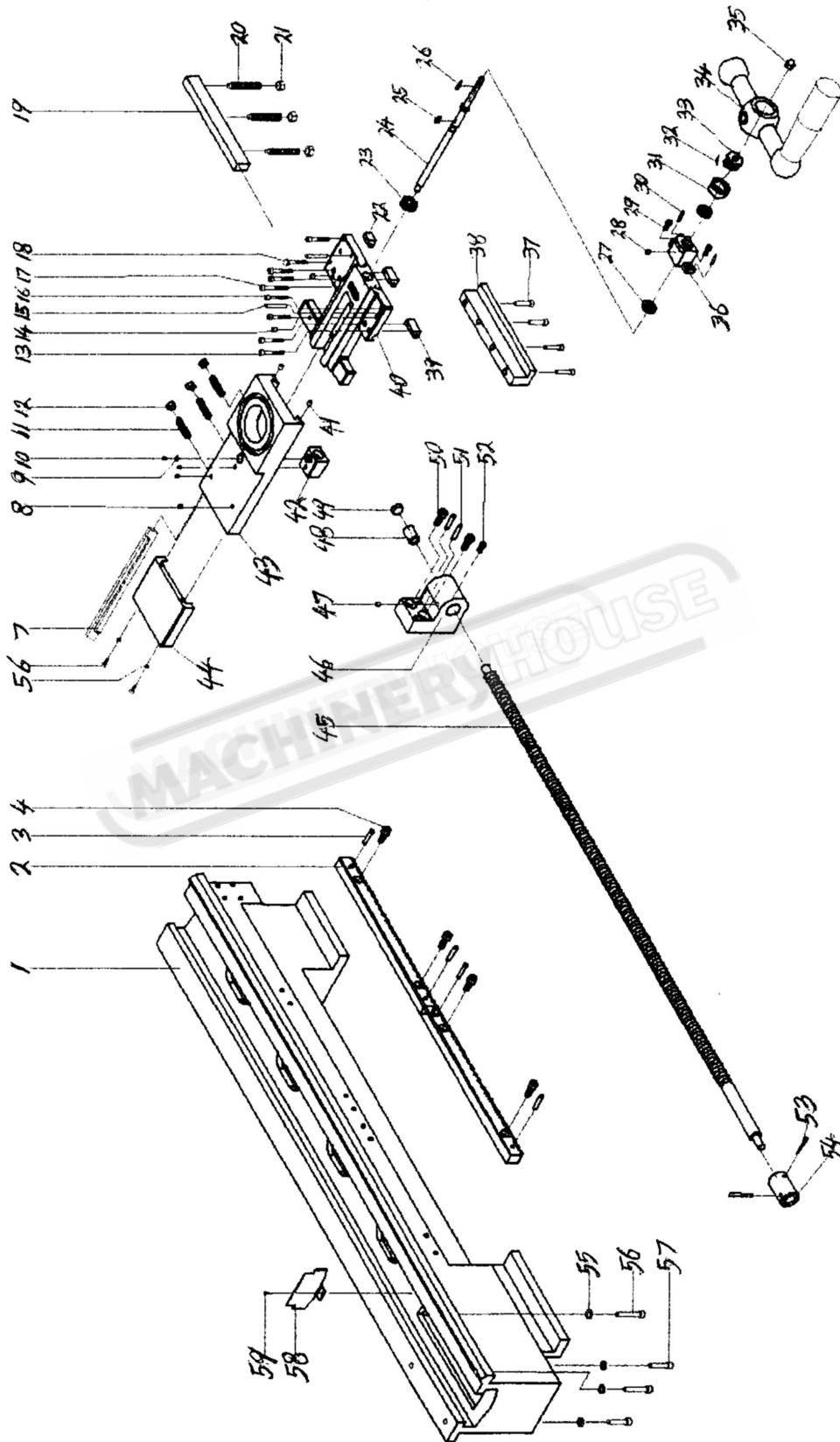
1. Have your machines **Model Number, Serial Number & Date of Manufacture** on hand, these can be found on the specification plate mounted on the machine
2. A scanned copy of your parts list/diagram with required spare part/s identified
3. Go to www.machineryhouse.com.au/contactus and fill out the enquiry form attaching a copy of scanned parts list.

CONTENTS

AL-320 Bed Parts.....	23
AL-320 Bed Parts List.....	24
AL-320 Headstock Parts.....	26
AL-320 Headstock Parts. List.....	27
AL-320 Back Gear Parts.....	30
AL-320 Back Gear Parts.List.....	31
AL-320 Gearbox Parts.....	33
AL-320 Gearbox Parts List.....	34
AL-320 Apron Parts.....	36
AL-320 Apron Parts List.....	37
AL-320 Compound Slide Parts.....	39
AL-320 Compound Slide Parts List.....	40
AL-320 Tailstock Parts.....	41
AL-320 Tailstock Parts List.....	42
Risk Assesment Sheet.....	43

HAFCO METALMASTER

AL-320 BED PARTS



HAFCO METALMASTER

AL-320 BED PARTS LIST

No.	Part No.	Description
1	CQ9332-01-001	Bed
2	CQ9332-01-003	Racks
3	6x18 GB117-86	Taper pin
4	M8x16 GB70-85	Hexagon socket cap head screws
5	5 GB97. 2-8.5	Washer
6	M5x10 GB65-85	Screw
7	CQ9332-01-005	Chuck
8	6 GB1155-79	Oil cup
9	CQ9332-05-015	Washer
10	M5x12 GB68-85	Screw
11	M6x25 GB75-85	Screw
12	M6 GB6170-86	Hexagon nuts
13	M6x35 GB70-85	Hexagon socket cap head screws
14	8 GB1155-79	Oil cup
15	6x40 GB117-86	Taper pin
16	M6x30 GB70-85	Hexagon socket cap head screws
17	M6x45 GB70-85	Hexagon socket cap head screws
18	M6x40 GB5782-86	Hexagon head bolts
19	CQ9332-01-008	Chuck
20	M8x20 GB79-85	Hexagon socket set screws with dog point
21	M8 GB6170-86	Hexagon nuts
22	CQ9332-05-027	Chain up block
23	CQ9332-05-006	Gear
24	CQ9332-05-004	Cross feed screw rod
25	5x16 GB1096-79	Plain parallel key
26	4x18 GB1096-79	Plain parallel key
27	8201 GB301-84	Rolling bearing
28	6 GB1155-79	Oil cup
29	M6x16 GB70-85	Hexagon socket cap head screws
30	5x20 GB117-86	Taper pin
31	CQ9332-05-024	Dial
32	A T300-03-139	Spring lamination
33	A T300-03-138	Dial sleeve
34	12x40 GB4141.9-84	Handles with sleeve
35	M1 GB923-88	Nut
36	CQ9332-05-008	Cross feed screw seat
37	M8x40 GB70-85	Hexagon socket cap head screws
38	CQ9332-01-007	Behind board
39	CQ9332-5-005	Forward board
40	CQ9332-05-002	Carriage
41	6 GB1155-79	Oil cup

HAFCO METALMASTER

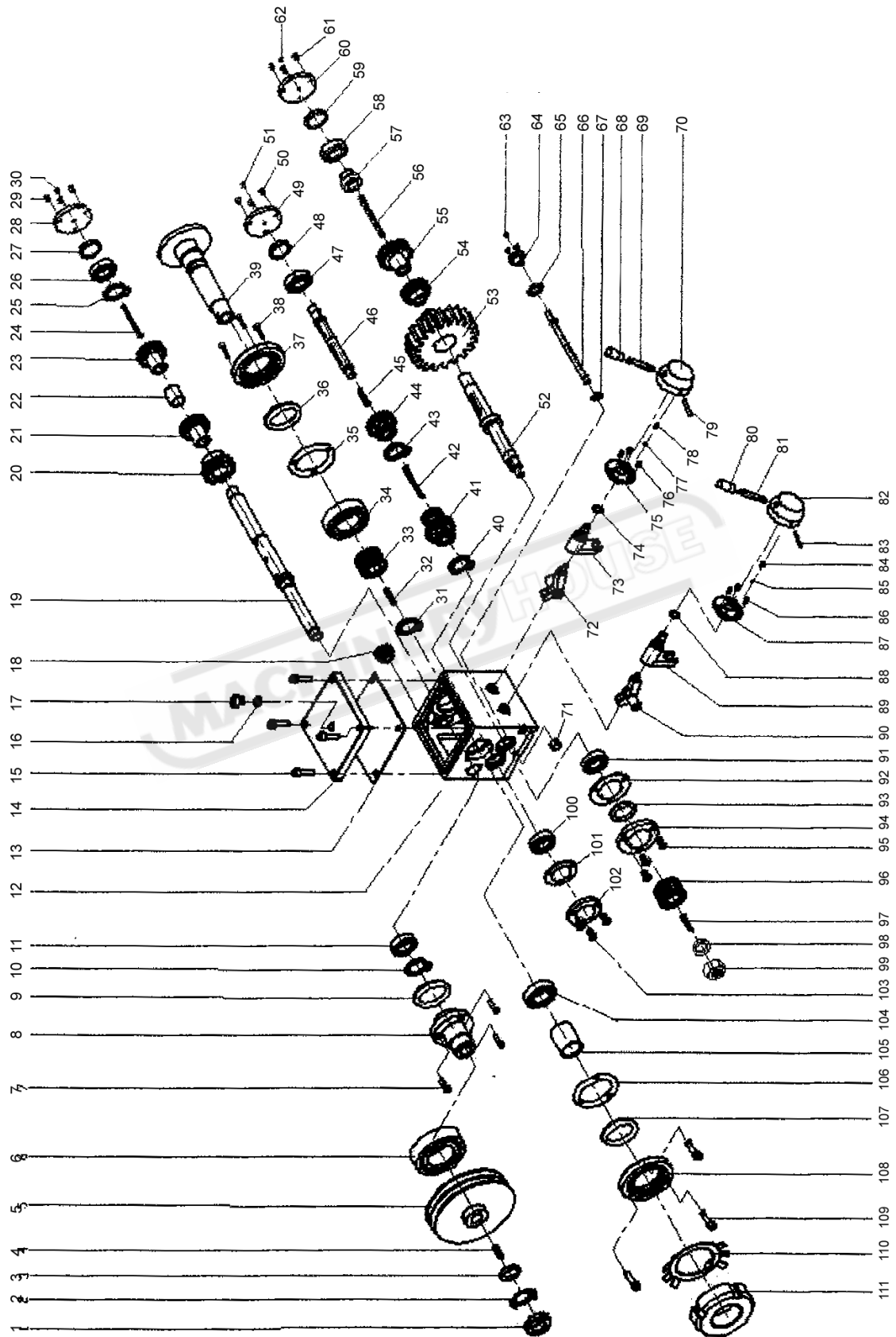
AL-320 BED PARTS LIST Cont.

No.	Part No.	Description
42	CQ9332-01-009	Cross nut
43	CQ9332-01-004	Middle carriage
44	CQ9332-00-006	Shield
45	CQ9332-01-002	Longitudinal feed screw
46	CQ9332-01-006	Right pedestal
47	6 GB1155-79	Oil cup
48	CQ9332-01-010	Sleeve
49	CQ9332-02-011	Spigots
50	M8x25 GB70-85	Hexagon socket cap head screws
51	5x30 GB117-86	Taper pin
52	M5x8 GB71-86	Slotted set screws with cone point
53	4x25 GB117-86	Taper pin
54	AT520-03-014	Coupling sleeve
55	10 GB93-87	Washer
56	M10x40 GB70-86	Hexagon socket cap head screws
57	M10x35 GB70-85	Hexagon socket cap head screws
58	CQ9332-00-016	Shield
59	M5x10 GB70-85	Hexagon socket cap head screws

MACHINERYHOUSE

HAFCO METALMASTER

AL-320 HEADSTOCK PARTS



HAFCO METALMASTER

AL-320 HEADSTOCK PARTS LIST

No.	Part No.	Description
1	M161.5 GB812-88	Spanner nut
2	16 GB858-88	Lock washer for circular nut
3	16 GB97.2-85	Plain washers
4	5x16 GB1096-79	Plain parallel key
5	CQ9332A-02-016	Spindle pulley
6	60206 GB298-89	Taper roller bearing
7	M5x12 GB70-85	Hexagon socket head screw
8	CQ9332-02-017	Pulley seat
9	16 JB/GQ0324-89	Felt collar
10	16 GB894.1-86	Circlips for shaft-type A
11	203 GB276-89	Single-row ball bearing
12	CQ9332-02-001	Lathe head
13	CQ9332-02-002	Pressurize Washer
14	CQ9332-02-003	Transmission cover
15	M8x30 GB70-85	Hexagon socket head screw
16	30x20x2 AT300-04-141	Rubber ring
17	M20x1.5 Q/ZB220-77	Oil port plug
18	Mt 6x1.5 GB1160.2-89	Oil level indicator
19	CQ9332-02-024	Spindle shaft
20	CQ9332-02-019	Gear
21	CQ9332-02-021	Gear
22	CQ9332-02-047	Sleeve spacer
23	CQ9332-02-022	Gear
24	5x70 GB1096-79	Plain parallel key
25	18 GB894.1-86	Circlips for shaft-type A
26	203 GB276-89	Single-row ball bearing
27	CQ9332-02-046	Bearing sleeve
28	CQ9332-02-026	Right sleeve
29	M5x12 GB819-85	Screw
30	M6x8 GB78-85	Screw
31	55 GB894.1-86	External snap ring
32	12x18 GB1567-79	Thin flat key
33	CQ9332-02-007	Gear
34	D2007I 12 GB297-84	Taper roller Bearing
35	CQ9332-02-006	Pressurize washer
36	68 JB/GQ0324-89	Felt collar
37	AT400-04-123	Mainshaft bearing oil seal
38	M5 x20 GB70-85	Hexagon socket head screw
39	CQ9332-02-004	Lathe spindle
40	20 GB894.1-86	External snap ring
41	CQ9332-02-023	Gear

HAFCO METALMASTER

AL-320 HEADSTOCK PARTS LIST Cont.

No.	Part No.	Description
42	5x60 GB1096-79	Plain parallel key
43	20 GB894.1-86	External snap ring
44	CQ9332-02-025 5x40	Gear
45	GB1096-79	Plain parallel key
46	CQ9332-02-028	Middle shaft
47	203 GB276-89	Single-row ball bearing
48	CQ9332-02-046	Bearing sleeve
49	CQ9332-02-026	Right sleeve
50	M5x12 GB819-85	Screw
51	M6x8 GB78-85	Screw
52	CQ9332-02-011	Output shaft
53	CQ9332-02-010	Gear
54	CQ9332-02-009	Gear
55	CQ9332-02-008	Gear
56	5x60 GB1096-79	Plain parallel key
57	CQ9332-02-030	Sleeve spacer
58	203 GB276-89	Single-row ball bearing
59	CQ9332-02-046	Bearing sleeve
60	CQ9332-02-026	Right sleeve
61	M5x12 GB819-85	Screw
62	M6x8 GB78-85	Screw
63	M5x12 GB819-85	Screw
64	CQ9332-02-039	Sprue
65	CQ9332-02-040	Pressurize washer
66	CQ9332-02-037	Shifting fork shaft
67	12 GB894.1-86	External snap ring
68	BM8x40 G84141.14-84	Knob
69	BM8x63 GB4141.15-84	Handle lever
70	12x50 GB4141.19-84	Handle seat
71	CQ9332-02-038	Spigots
72	CQ9332-02-033	Right shifting fork
73	CQ9332-02-034	Right shifting fork shaft
74	16x2.4 GB1235-76	O- seal ring
75	AT400-04-127	Localing sleeve
76	M5x 12 GB819-85	Screw
77	6.5 GB308-84	Steel ball
78	0.8x5x25 GB2089-80	Spring
79	5x50 GB117-86	Pin
80	BM8x40 GB4141.14-84	Knob
81	BM8x63 GB4141.15-84	Handle lever
82	12x50 GB4141.19-84	Handle seat

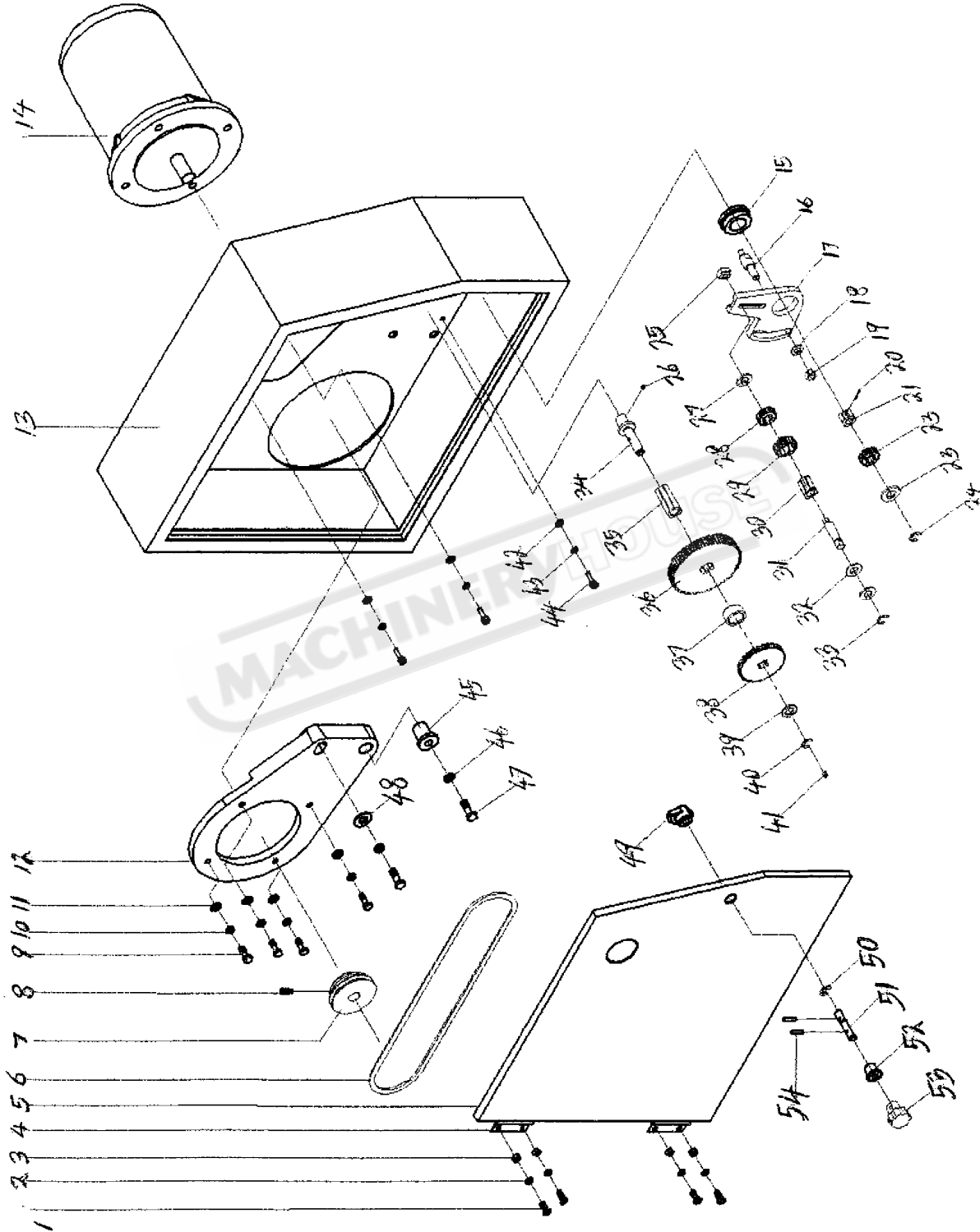
HAFCO METALMASTER

AL-320 HEADSTOCK PARTS LIST Cont.

No.	Part No.	Description
83	5x50 GB117-86	Pin
84	0.8x5x25 GB2089 -80	Spring
85	6 .5 GB308 -84	Steel ball
86	M5x12 GB819- 85	Screw
87	AT400-04-127	Locating sleeve
88	16x2.4 GB1235-76	O-seal ring
89	CQ9332-02-035	Left shifting fork shaft
90	CQ9332-02-036	Left shifting fork
91	203 GB276 -89	Single-row ball bearing
92	CQ9332-02-015	Pressurize washer
93	16 JB/GQ0324-89	Felt collar
94	CQ9332-02-014	Left sleeve
95	M5x12 GB819-85	Screw
96	CQ933-02-013	Gear
97	4x10 GB1096-79	Plain parallel key
98	10 GB93-87	Spring washer
99	M10 GB6170-86	Hexagon nut
100	203 GB276-89	Single -row ball bearing
101	CQ9332-02-015	Pressurize washer
102	CQ9332-02-048	Sleeve
103	M5x12 GB819-85	Screw
104	200 7 1 IO GB297-84	Taper roller bearing
105	CQ9332-02-044	Spring washer
106	CQ9332-02-043	Pressurize washer
107	50 JB/GQ0324-89	Felt collar
108	AT400-04-118	End cap
109	M5x320 GB70-85	Hexagon socket head screw
110	50 GB858-88	Lock washer for circular nut
111	M50 GB812-88	Spanner nut

HAFCO METALMASTER

AL-320 BACK GEARS PARTS



HAFCO METALMASTER

AL-320 BACK GEARS PARTS LIST

No.	Part No.	Description
1	M4x10 GB65-85	Slotted cheesehead screws
2	4 GB93-87	Spring washers
3	M4 GB6170-86	Hexagon nuts
4		Butt hinge
5	CQ9332-06-002	Door
6	710 GB1171-7-1	V-belt type 710
7	CQ9332-00-002A	Motor pulley
8	M6x8 GB75-85	Screws
9	M8x25 GB5782-86	Hexagon head bolts
10	8 GB93-87	Spring washers
11	8 GB97.2-85	Washer
12	CQ9332-00-001	Motor mount plate
13	CQ9332-06-001	Compound box
14	JY8034(7500W)	220V Motor ,50 HZ
15	CQ9332-04-017	Sleeve
16	AT400-03-146	Stationary shaft
17	AT400-03-144	Change gear plate
18	10 GB97.2-85	Washer
19	M10 GB6170-86	Hexagon nut
20	3x18 GB119-86	Parallel key
21	AT400-03-141	Spline housing
22	CQ9332-00-015	Change gear
23	12 GB97.2-85	Washer
24	9 GB896-86	"E" rings
25	AT400-03-143	T-nut
26	M5x6 GB73-85	Flat-point screw
27	12 GB97.2-85	Washer
28	CQ9332-00-015	Change gear
29	CQ9332-00-015	Change gear
30	AT400-03-145	Spline housing
31	AT400-03-142	Small shaft
32	12 GB97.2-85	Washer
33	9 GB896-86	"E" rings
34	AT400-04-108	Small shaft
35	AT400-04-112	Spline housing
36	AT400A-04-109	Big gear wheel
37	AT400-04-110	Sleeves
38	CQ9332-00-015	Change gear
39	12 GB97.2-85	Washer
40	9 GB896-86	"E" rings
41	6 GB1155-79	Oil cup

HAFCO METALMASTER

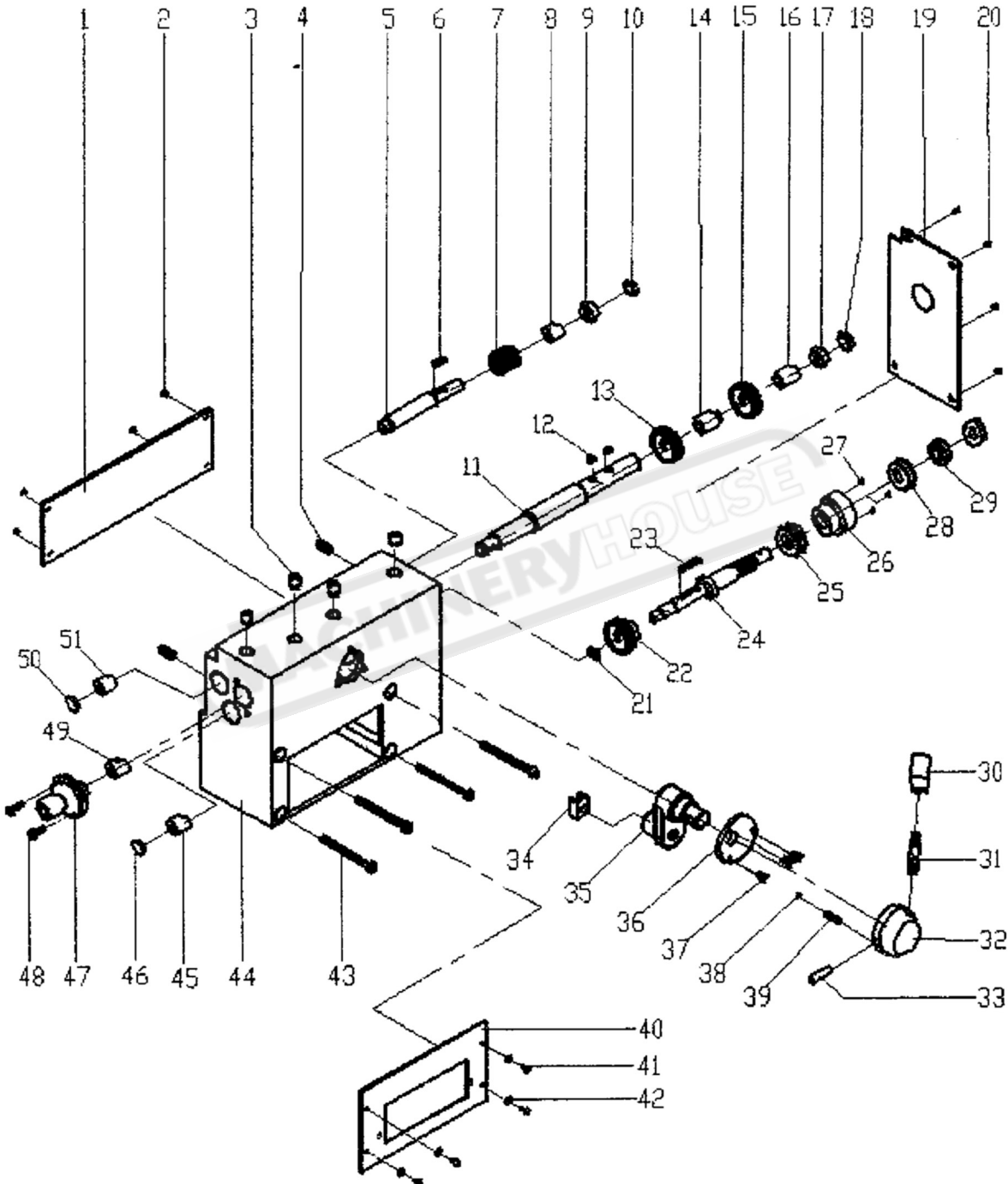
AL-320 BACK GEARS LIST Cont.

No.	Part No.	Description	
42	6 GB97.2-85	Washer	
43	6 GB93-87	Spring washers	
44	M6x16 GB70-85	Hexagon socket head screw	
45	CQ9332-00-007	Sleeves	
46	10 GB93-87	Spring washers	
47	M10x45 GB5782-86	Hexagon head bolts	
48	10 GB96-85	Washer	
49	AT300-05-108	Door-knob	
50	6 GB896-86	"E" rings	
51	AT300-05-110	Shaft	
52	AT300-05-111	Stationary sleeve	
53	8x32 GB4141.29-84	Star-grip knob	
54	3x18 GB117-86	Taper pins	

MACHINERYHOUSE

HAFCO METALMASTER

AL-320 GEARBOX PARTS



HAFCO METALMASTER

AL-320 FEED BOX PARTS LIST

No.	Part No.	Description
1	CQ9332-04-002	Transmission cover
2	M5x8 GB68-85	Screws
3	8 GB1155-79	Oil cup
4	M5x6 GB71-85	Set screws with cone point
5	CQ9332-04-004	Shaft
6	5x16 GB1096-79	Plain parallel key
7	CQ9332-04-005	Gear
8	CQ9332-04-007	Sieve spacer
9	CQ9332-04-006	Sleeves
10	CQ9332-04-012	Spigots
11	CQ9332-04-010	Shaft
12	5x8 GB1096-79	Plain parallel key
13	CQ9332-04-008	Gear
14	CQ9332-04-009	Sieve spacer
15	CQ9332-04-008	Gear
16	CQ9332-04-007	Sieve spacer
17	CQ9332-04-019	Sleeves
18	CQ9332-04-012	Spigots
19	CQ9332-04-015	Transmission cover
20	M4x8 GB65-85	Screws
21	16 GB894.1-86	Extrenal snap ring
22	CQ9332-04-014	Gear
23	5x32 GB1096-79	Plain parallel key
24	CQ9332-04-013	Shaft
25	8102 GB301-64	Bearing
26	AT520-03-109	Bearing sleeve
27	M5x16 GB818-85	Screws
28	8102 GB301-64	Bearing
29	M14x1.5 GB812-88	Round nut
30	BM8x40 GB4141.14-84	Knob
31	BM8x40 GB4141.15-84	Handle lever
32	12x50 GB4141.19-84	Handle seat
33	5x50 GB117-86	Taper pin
34	AT520-03-117	Shifting yoke
35	CQ9332-04-003	Shifting fork plate
36	AT300-03-134	Locating plate
37	M5x10 GB68-85	Slotted countersunk-head screws
38	6.5 GB308-84	Steel ball
39	0.8x5x25 GB2089-84	Spring
40	CQ9332-00-003	Switch board
41	M4x8 GB818-85	Cross recessed pan head screws

HAFCO METALMASTER

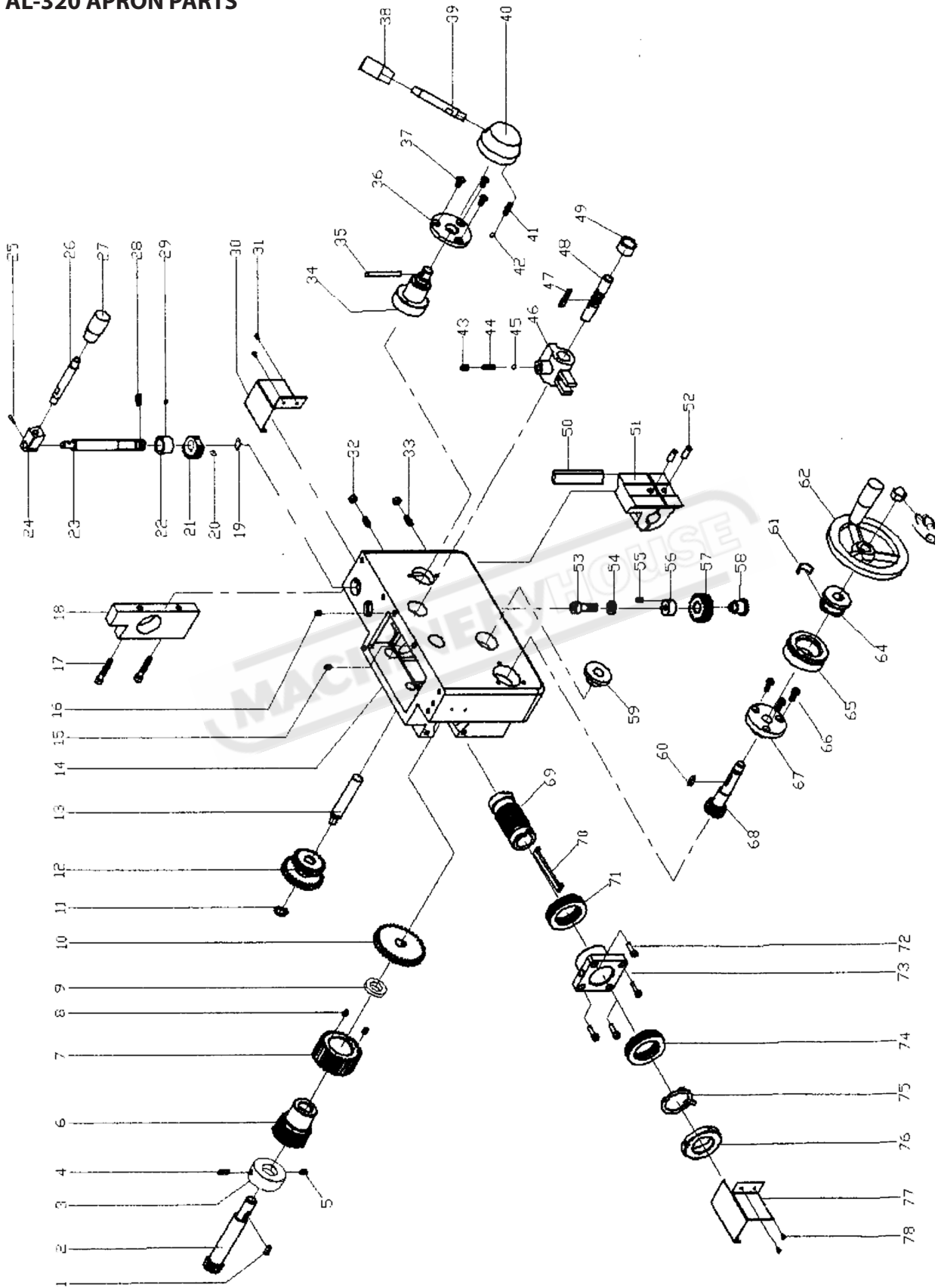
AL-320 FEED BOX PARTS LIST Cont.

No.	Part No.	Description	
42	4 GB97. 1-85	Washer	
43	M8x100 GB70-85	Hexagon socket head screw	
44	CQ9332-04-001	Left trestle	
45	CQ9332-04-018	Sieves	
46	CQ9332-04-012	Spigots	
47	CQ9332-04-019	Sieves	
48	CQ9332-04-011	Pedestal	
49	M5x12 GB70-85	Hexagon socket head screw	
50	CQ9332-04-012	Spigots	
51	CQ9332-04-006	Sieves	

MACHINERYHOUSE

HAFCO METALMASTER

AL-320 APRON PARTS



HAFCO METALMASTER

AL-320 APRON PARTS LIST

No.	Part No.	Description
1	6x12 GB1096-79	Plain parallel key
2	AT400A-03-203	Gear shaft
3	AT400A-03-206	Sleeve
4	M6x12 GB75-85	Screws
5	M6x12 GB71-85	Set screws with cone point
6	AT400A-03-205	Worm gear
7	CQ9332-05-010	Gear
8	M5x8 GB71-85	Set screws with cone point
9	AT400A-03-207	Spring washer
10	AT400A-03-241	Big gear
11	20 GB894.1-86	External snap ring
12	CQ9332-05-007	Slippage gear
13	CQ9332-05-009	Slippage shaft
14	CQ9332-05-001	Apron body
15	M5x16 GB71-85	Set screws with cone point
16	M6x20 GB71-85	Set screws with cone point
17	M5x35 GB70-85	Hexagon socket head screw
18	CQ9332-05-025	Apron body right cover
19	12 GB894.1-86	Extennal snap ring
20	4x8 GB1096-79	Plain parallel key
21	CQ9332-05-029	Gear
22	CQ9332-05-014	Sleeve
23	CQ9332-05-013	Axis
24	AT520A-03-213	Square handle seat
25	2x20 GB117-86	Taper pins
26	BM8x50 GB4141.15-84	Handle lever
27	BM8x40 GB4141.14-84	Handle sleeve 8-plastic
28	M5 x16 GB75-85	Screws
29	M5x8 GB71-85	Set screws with cone point
30	CQ9332-00-106	Right rod baseboard
31	M5x8 GB71-85	Screws
32	M5 GB6170-86	Hexagon nut
33	M5x25 GB75-85	Screws
34	AT400A-03-212	Shaft
35	5x50 08117-86	Taper pins
36	AT400A-03-221	Sleeve
37	M4x12 GB68-85	Screw
38	BM8x40 GB4141.14-84	Handle sleeve B-plastic
39	BM8x40 GB4141.15-84	Handle lever
40	12x50 GB4141.19-84	Handle seat
41	0.8x5x25 GB2089-80	Spring

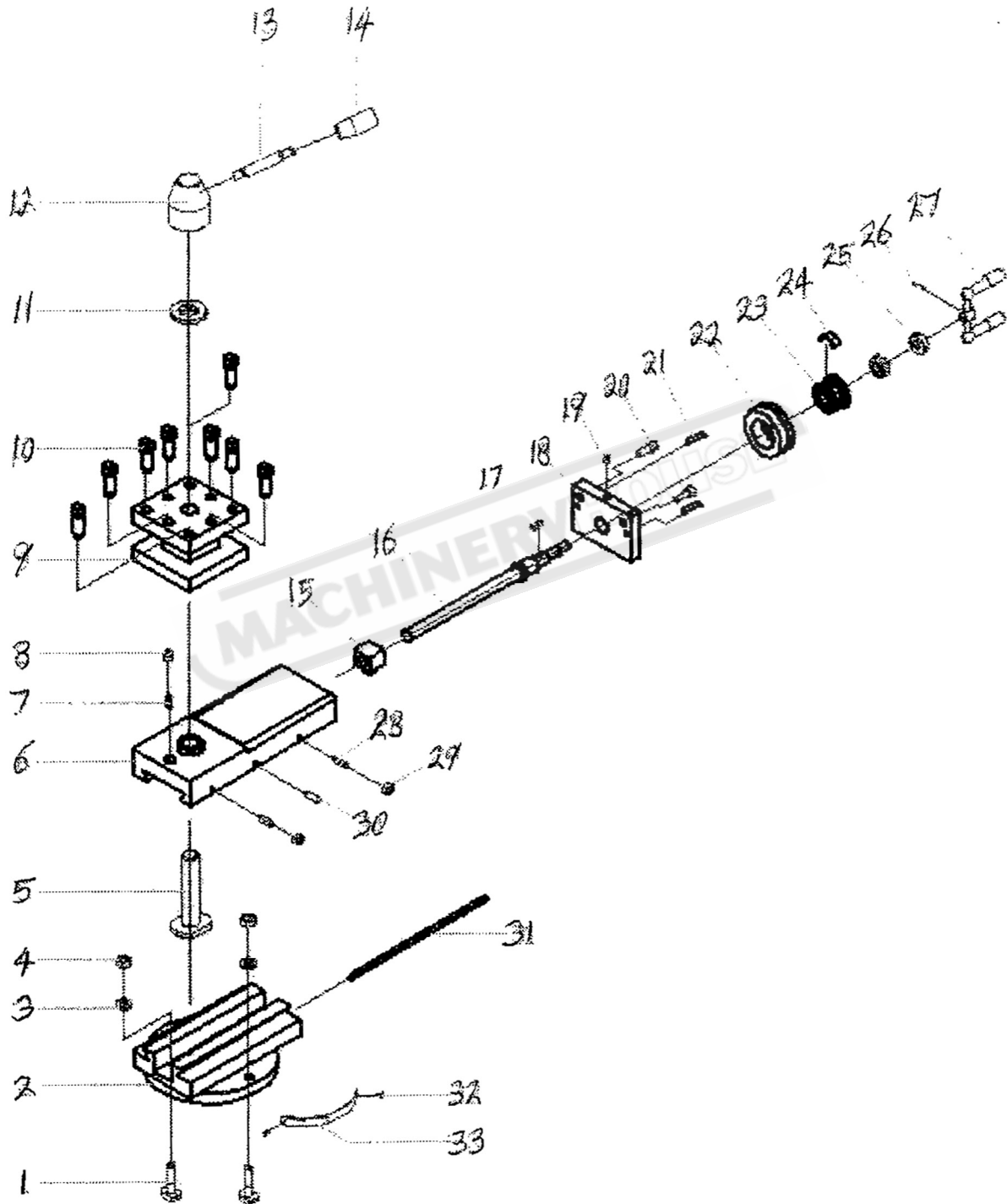
HAFCO METALMASTER

AL-320 APRON PARTS LIST

No.	Part No.	Description
42	6.5 GB308-84	Steel ball
43	M6x8 GB73-85	Flat-point set screw
44	0.6x5x15 GB2089-80	Spring
45	5 GB308-84	Steel ball
46	AT400A-03-216	Shifting fork
47	5x40 GB1096-79	Plain parallel key
48	CQ9332-05-020	Shifting fork shaft
49	CQ9332-05-021	Sleeve
50	AT400-03-127	Chuck
51	AT400-03-125	Screw nut
52	6x8 GB119-86	Column pins
53	M6x25 GB70-85	Hexagon socket head screw
54	6 GB93-87	Spring washer
55	M4x8 GB71-85	Set screws with cone point
56	CQ9332-05-015	Sleeve
57	CQ9332-05-017	Middle gear
58	CQ9332-05-016	Shaft
59	AT400-03-132	Bearing sleeve
60	4x28 GB1096-79	Plain parallel key
61	AT300-03-139	Spring lamination (Leaf spring)
62	B12x125 GB4141.22-84	Hand wheel
63	M10 GB923-88	Domed cap nuts
64	AT300-03-138	Sleeve
65	CQ9332-05-012	Dial
66	M4x12 GB65-85	Screw
67	AT400A-03-227	Flange sleeve
68	CQ9332-05-011	Gear shaft
69	CQ9332-05-022	Worm shaft
70	4x28 JB/GQ0217-89	Plain parallel key
71	8106 GB301-84	Thrust ball bearing
72	M5x16 GB70-85	Hexagon socket head screw
73	CQ9332-05-023	Worm shaft
74	8106 GB301-84	Thrust ball bearing
75	30 GB858-88	Lock washer
76	M30x 1.5 GB812-88	Round nut
77	CQ9332-00-105	Left rod baseboard
78	M5x8 GB71-85	Screws

HAFCO METALMASTER

AL-320 COMPOUND SLIDE PARTS



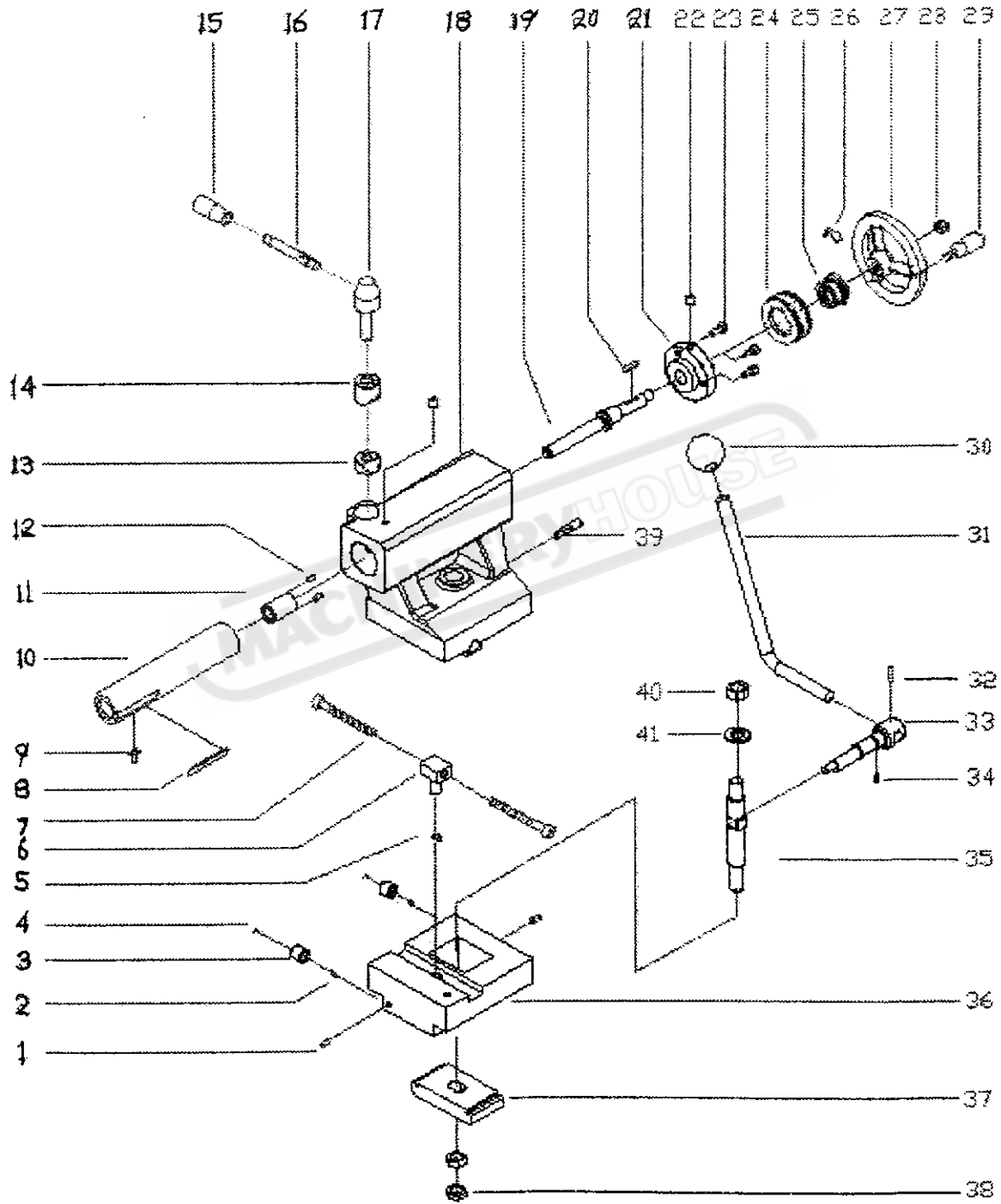
HAFCO METALMASTER

AL-320 COMPOUND SLIDE PARTS LIST

No.	Part No.	Description
1	CQ9332-08-002	Bolts for T-Slot
2	CQ9332-08-004	Small carriage
3	8 GB97.2-85	Plain washers
4	M8 GB6170-86	Hexagon nuts
5	CQ9332-08-008	Bolts for T-Slot
6	CQ9332-08-008	Tollpost seats
7	0.5x5x15 GB2089-80	Spring
8	CQ9332-08-009	Locating sleeve
9	CQ9332-08-012	Toolpost
10	M10x30 GB83-88	Screws
11	CQ9332-08-010A	Plain washers
12	CQ9332-08-010	Handle seats
13	BM8x40 GB4141.15-84	Handle lever
14	BM8x40 GB4141.14-84	Long sleeve knobs
15	CQ9332-08-006	Nut
16	CQ9332-08-005	Lead screw
17	4x12 GB1096-79	Plain parallel key
18	CQ9332-08-013	Hanger
19	6 GB1155-79	Oil cup
20	M6x15 GB70-85	Hexagon socket cap head screws
21	4x20 GB117-86	Straight pin
22	AT300-03-101	Dial
23	AT300-03-138	Sleeve
24	AT300-03-139	Spring lamination
25	M10x1 GB812-88	Spanner nut
26	3x16 GB117-86	Taper pins
27	8x25 GB4141.10-84	Bi-Lever balanced handles
28	M6x25 GB75-85	Screws
29	M6 GB6170-86	Hexagon nuts
30	M6x20 GB75-85	Screws
31	CQ9332-08-007	Spindle screw
32	2x5 GB827-86	Rivets for graduated plate
33	CQ9332-08-016	Graduated plate

HAFCO METALMASTER

AL-320 TAILSTOCK PARTS



HAFCO METALMASTER

AL-320 TAILSTOCK PARTS LIST

No.	Part No.	Description
1	M5x8 GB71-85	Set screws with cone point
2	GB2089-80 1.4x7x30	Spring
3	CQ9332-03-008	Oil drain plug
4	GB308-77	Steel ball
5	GB894.1-86 12 CQ9332-	Circlips for shaft
6	03-009	Tailstock nuts
7	M8x40 GB70-85	Hexagon socket head screw
8	AT400-02-108	Graduated scale
9	AT300-02-114	I-key
10	CQ9332-03-003	Tailstock center sleeve
11	AT400-02-120	Tailstock nuts
12	M5x10 GB71-8 5	Set screws with cone point
13	AT400-02-107	Locking nuts
14	AT400-02-110	Locking sleeve
15	BM8x40 GB4141.14-84	Long sleeve knob
16	BM8x40 GB4141.15-84	Handle lever
17	AT280-2-001	Handle seat
18	CQ9332-03-001	Tailstock
19	AT400-02-113	Tailstock screw stem
20	4x28 GB1096-79 CQ9332-	Plain parallel key
21	03-011	Sleeve
22	6 GB1155-79	Oil cup
23	M5x12 GB70-85	Hexagon socket head screw
24	AT400-02-11 4	Dial
25	AT300-03-138	Sleeve
26	AT300-03-139	Spring lamination
27	BM12x125 GB4141.22-8	Hand wheel
28	M10 GB923-88	Domed cap nuts
29	M6x50 GB4141.5-84	Handles with sleeve
30	M10x32 GB4141.11-84	Handle ball
31	CQ9332-03-007	Handle lever
32	5x26 GB117-86	Taper pins
33	CQ9332-03-010	Shaft
34	M5x12 GB75-85	Slotted set screws with long dog point
35	CQ9332-03-006	Pull pole set
36	CQ9332-03-002	Tailstock carriage
37	CQ9332-03-004	Chuck
38	M12 x1.5 GB6172-86	Hexagon thin nuts
39	CQ9332-03-012	Pin
40	M12 GB6170-86	Hexagon thin nuts
41	12 GB97.2-85	Plain washers